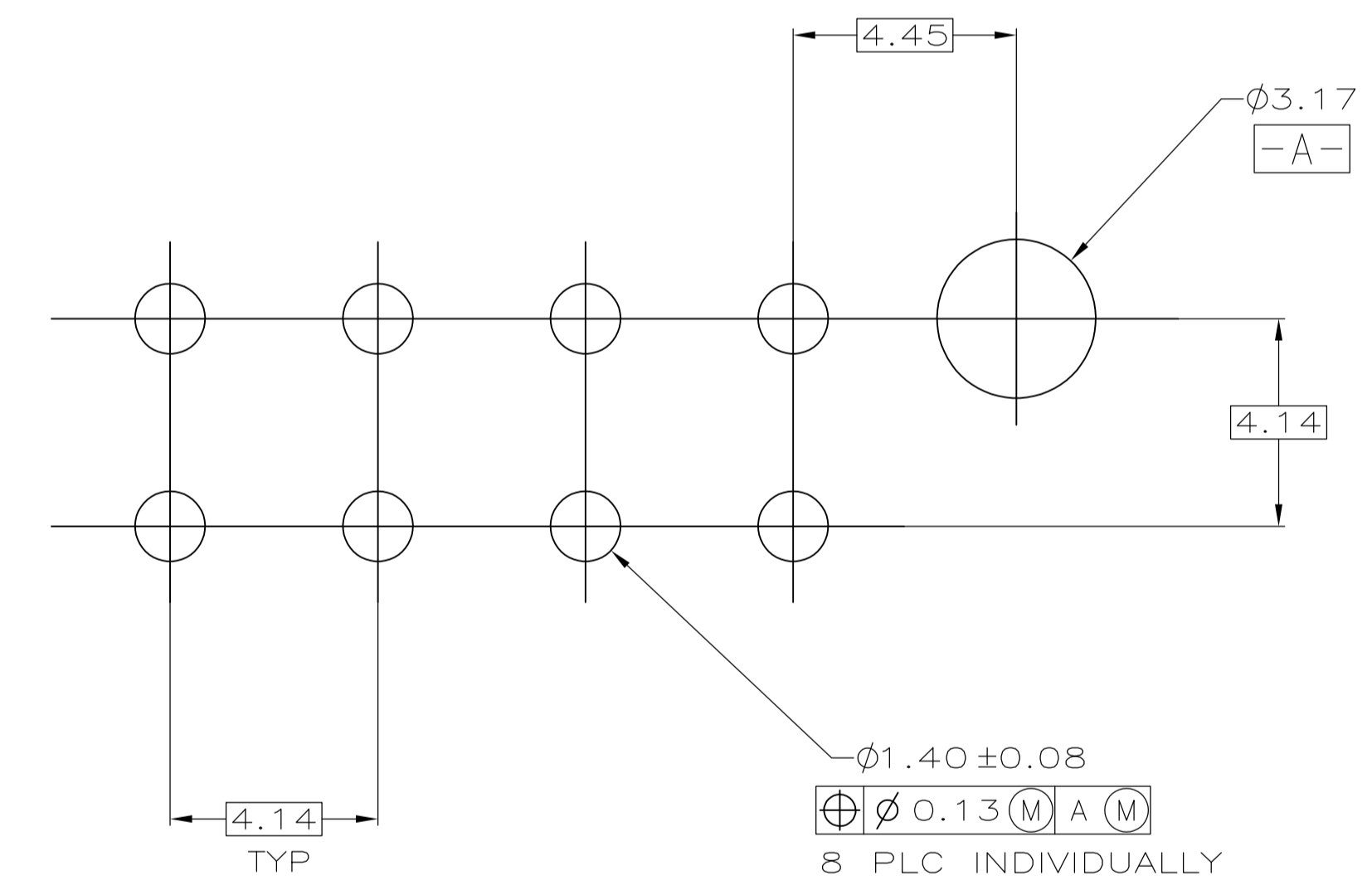
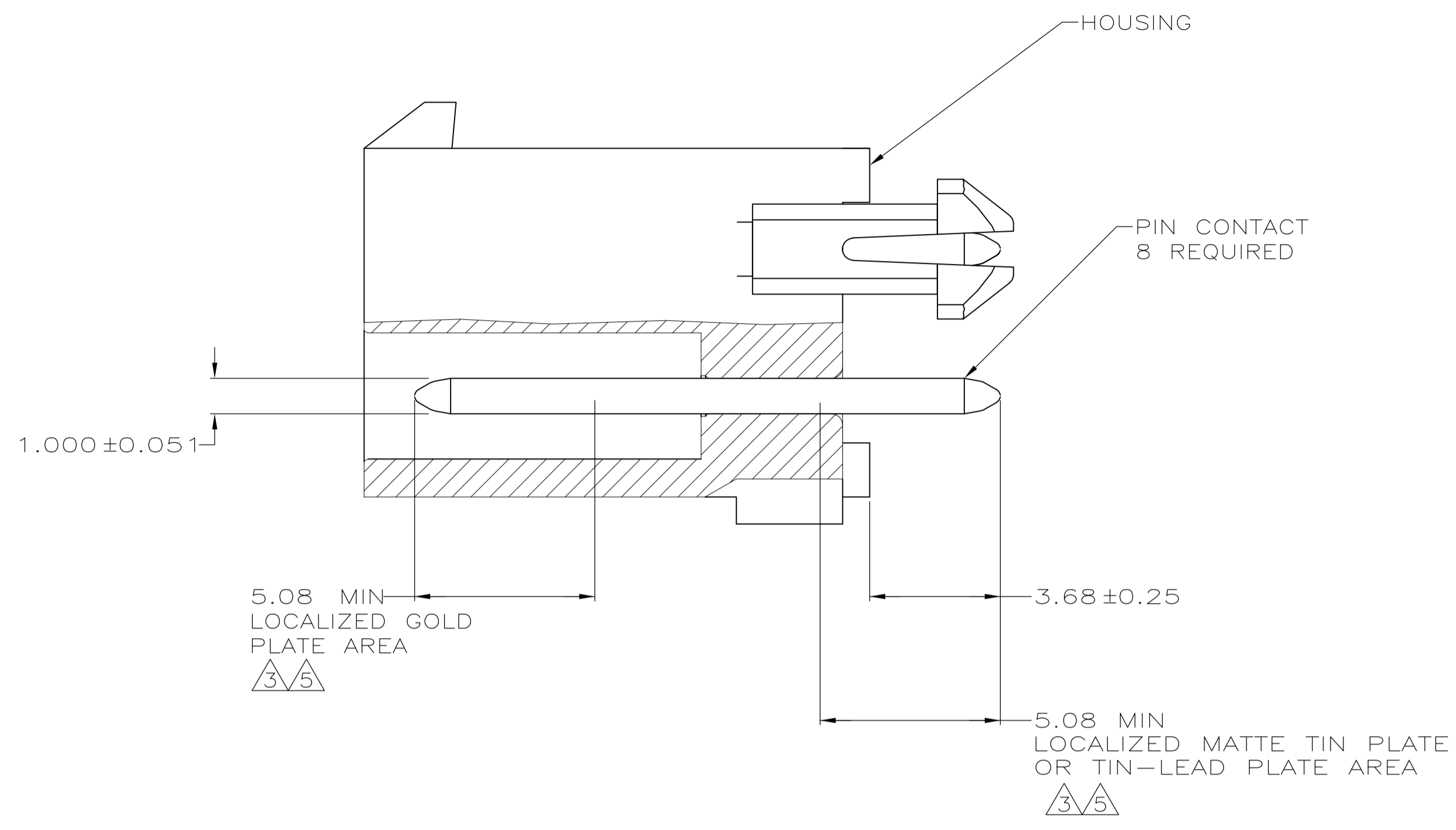
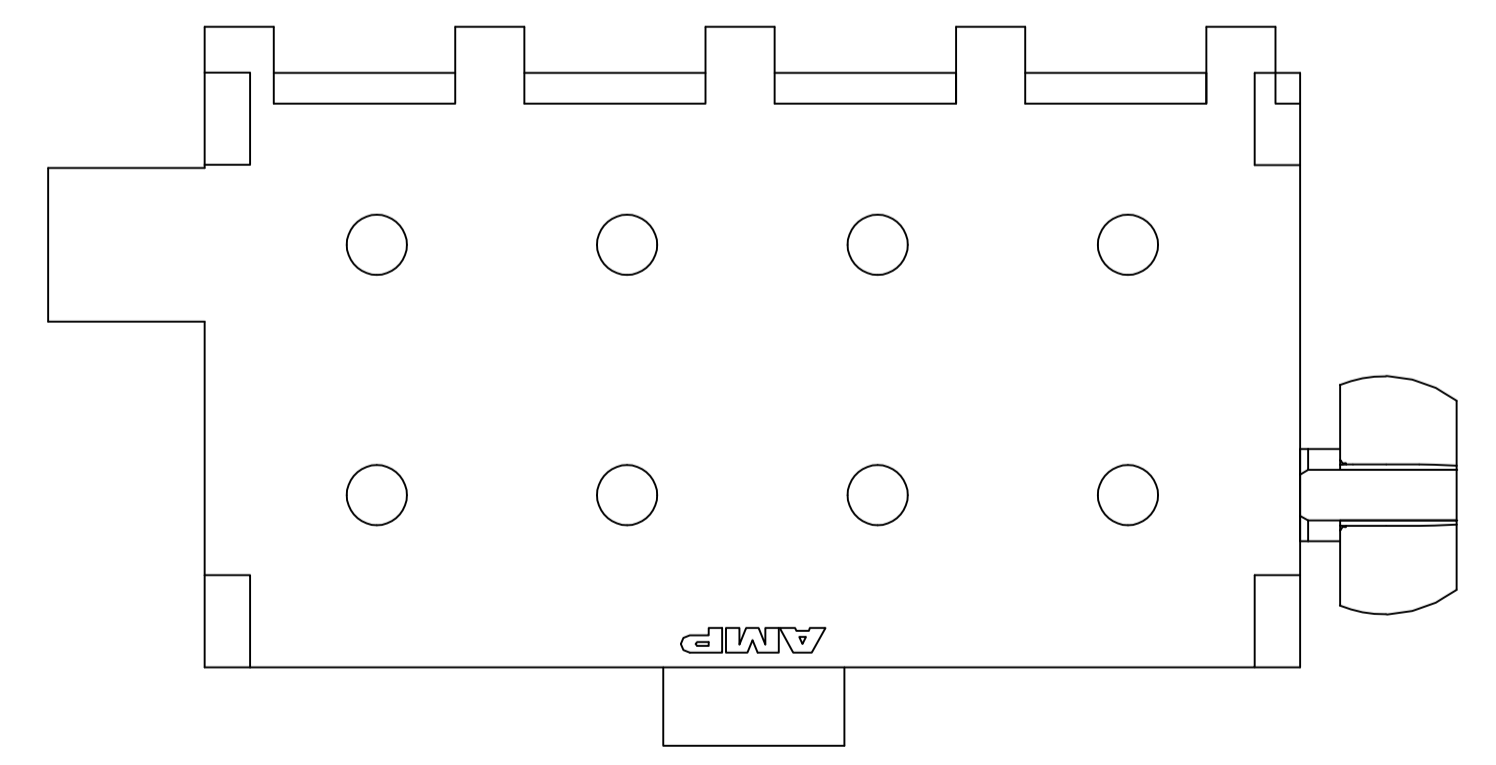
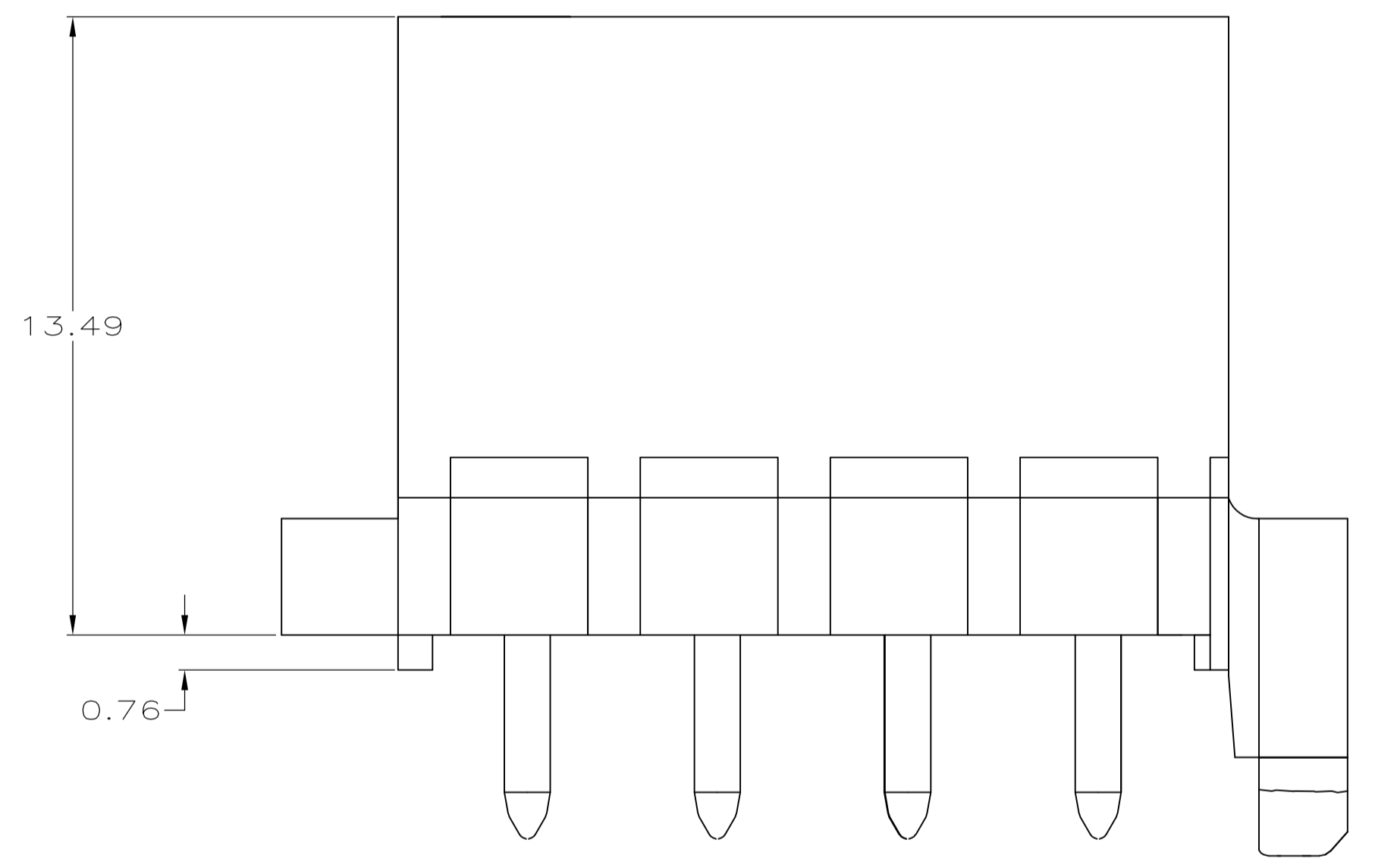
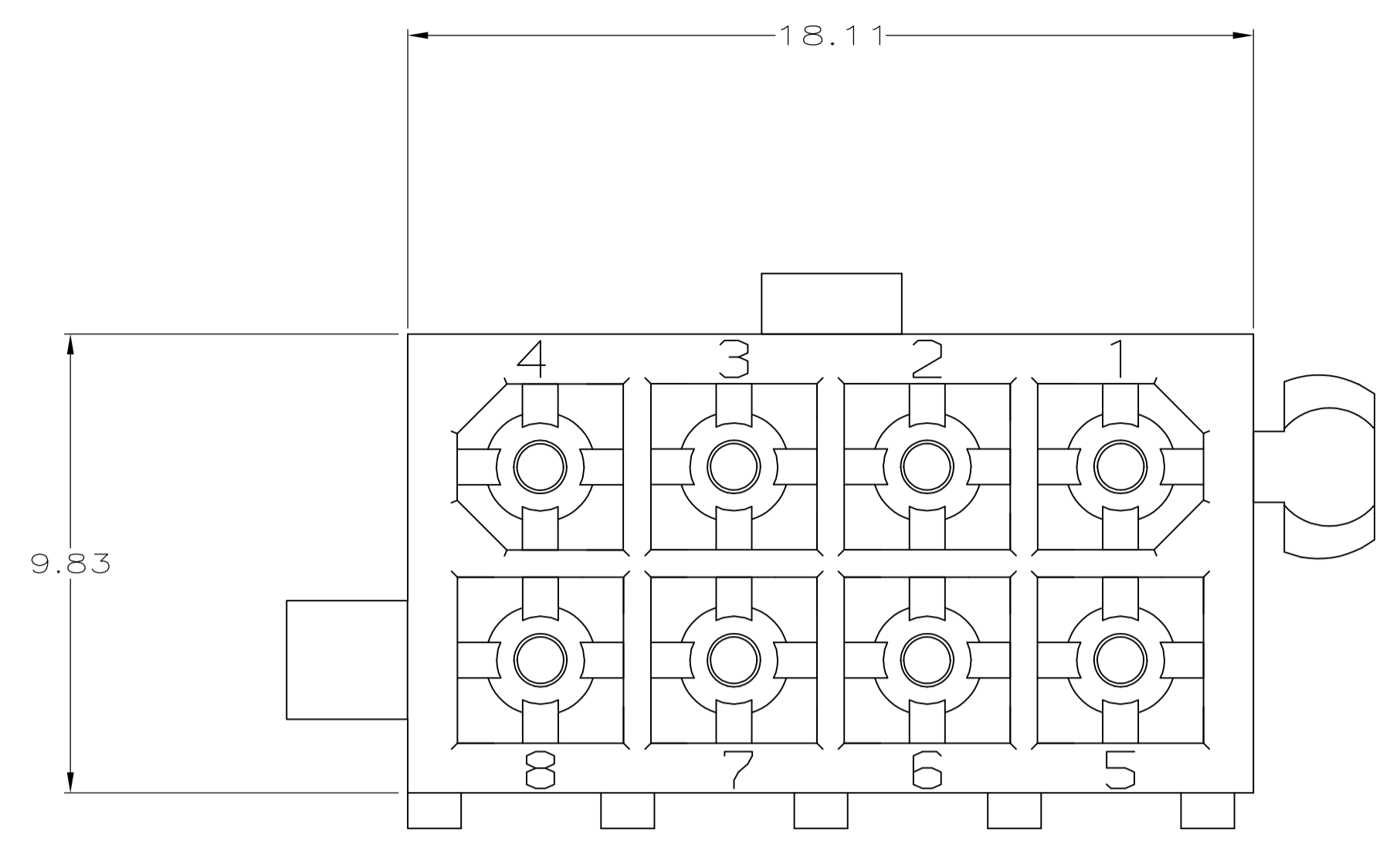


LOC	DIST	REVISIONS				
CM	0	REV	DESCRIPTION	DATE	BY	APP'D
		D	REVISED PER ECR-15-010337	23JUL2015	RK	SC



RECOMMENDED MOUNTING HOLE PATTERN FOR 1.57 THICK P.C. BOARD

- PINS TO COMPLY WITH AMP SOLDERABILITY SPEC. 109-11-3.
- 0.00381 MIN MATTE TIN LEAD PLATE OVER 0.00127 MIN NICKEL.
- 0.00076 MIN GOLD PLATE IN THE LOCALIZED PLATE AREA, 0.00381 MATTE TIN LEAD IN THE LOCALIZED PLATE AREA, BOTH OVER 0.00127 MIN NICKEL.
- 0.00381 MIN MATTE TIN PLATE OVER 0.00127 MIN NICKEL.
- 0.00076 MIN GOLD PLATE IN THE LOCALIZED PLATE AREA, 0.00381 MATTE TIN IN THE LOCALIZED PLATE AREA, BOTH OVER 0.00127 MIN NICKEL.

MATERIAL	FINISH	HOUSING MATERIAL AND COLOR	PART NUMBER
BRASS, GOLD		NYLON, 94V-0, WHITE	1-794073-1
BRASS, TIN		NYLON, 94V-0, WHITE	1-794073-0
BRASS, GOLD		NYLON, 94V-0, WHITE	794073-2
BRASS, TIN LEAD		NYLON, 94V-0, WHITE	794073-1

THIS DRAWING IS A CONTROLLED DOCUMENT.

DIMENSIONS: mm	TOLERANCES UNLESS OTHERWISE SPECIFIED:	DIN K WHITAKER 6-12-95	CM 0
0. PLC ± -	1. PLC ± -	CHK R SWING 6-12-95	
2. PLC ± 0.13	3. PLC ± -	APP'D R ORSTAD 6-13-95	
4. PLC ± -	ANGLES ± -	NAME	
MATERIAL SEE TABLE	FINISH SEE TABLE	SIZE	SCALE 8:1
		WEIGHT	SHEET 1 OF 1
		CUSTOMER DRAWING	REV D

STE TE Connectivity

NAME: HEADER ASSEMBLY, CLOSED BOTTOM, 8 CIRCUIT, DOUBLE ROW VERTICAL, MINI-UNIVERSAL MATE-N-LOK

SIZE: A1 | CAGE CODE: 00779 | DRAWING NO: 794073